

C & tanδ METER

DAC-ASC-5



DAC-ASC-5 is a device developed for capacitor testing that requires faster measurement times. The balance time is shortened to achieve the measurement time less than 1 second. With GP-IB interface, the meter can flexibly support any external inspection devices. The judgment value can be set through GP-IB and selected according to the judgement parameters (Capacitance error rate, tanδ). DAC-ASC-5 can automate the inspection line and assist in improving productivity.

Test Specimen

Phase advanced Condenser, Condensers for Electronics

Features

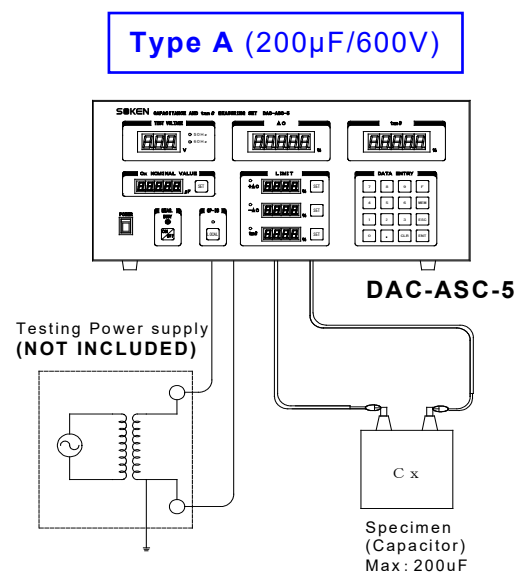
Wide Measuring Range from 0.01μF to max 3300μF
 Fast measurement within 1.0 second.
 Judgement PASS/FAIL through GP-IB.

Specifications

	200μF / 600V type
Test Voltage	AC50V - 600V
Test Range	Capacitance 0.01μF - 200μF
	tanδ 0~20%
Resolution	ΔC 0.01%
	tanδ 0.001%
Accuracy	ΔC ±(0.2%+3%Rdg+2digit)
	tanδ ±(0.01%+3%Rdg+2digit)
Measuring Time	1 second or less *1
Interface	GP-IB (IEEE-488-1987 Compliance)
AC Power	AC100V-240V±10%, 50/60Hz
Component	1 unit: W430×H199×D380mm, 15kg
Configuration	Type A

*1: When measuring a specimen like ΔC>20% or tan δ >10%, the measuring time may become longer.

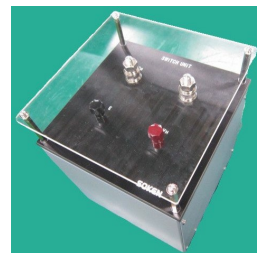
Connection Diagrams (Examples)



C & tan δ METER DAC-ASC-5

Specifications

	3300 μ F / 600V type *1	3300 μ F / 1200V type *1
Test Voltage	AC50V - 600V	AC100V - 1200V
Test Range	Capacitance 0.01 μ F - 3300 μ F	
	tan δ 0~20%	
Resolution	Δ C \pm 0.01%	
	tan δ \pm 0.001%	
Accuracy	Δ C \pm (0.2%+3Rdg+2digit)	
	tan δ \pm (0.01%+3Rdg+2digit)	
Measuring Time	1 second or less *2	
Interface	GP-IB (IEEE-488-1987 Compliance) / RS232C	
AC Source	AC100V-240V \pm 10% 50/60Hz	
Component	Main Unit:	W430 x H199 x D380mm, 12kg
	CT&Cs Unit:	W210 x H240 x D200mm, 5kg
	Switch Unit:	W210 x H250 x D200mm, 8kg
Configuration	Type B	Type C



Switch Unit



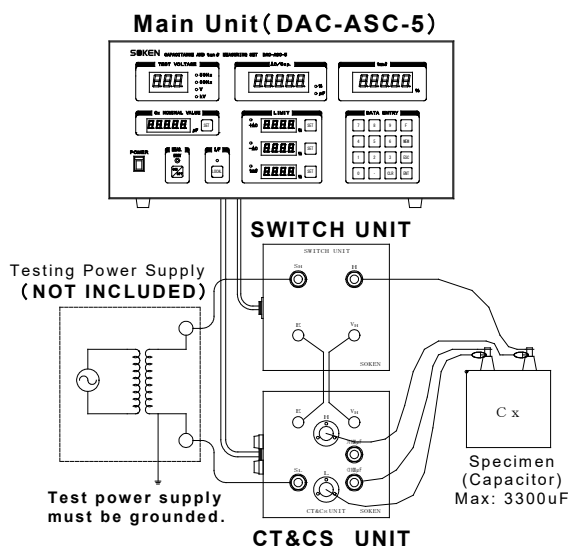
CT & Cs Unit

*1: Maximum testing current: 200A

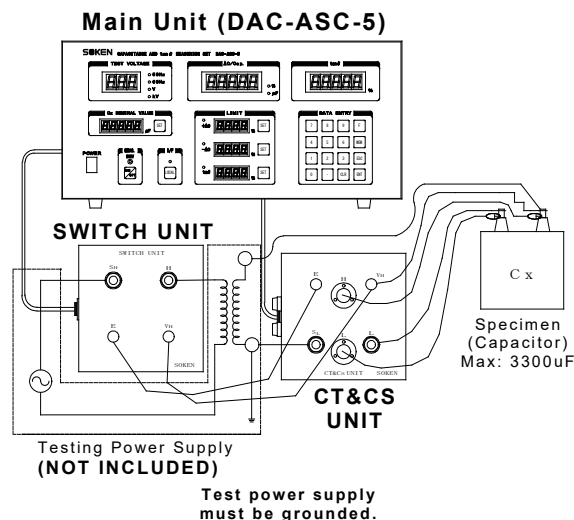
*2: When measuring such specimen as Δ C > 20% or tan δ > 10%, the measuring time become longer.

Connection Diagrams (Examples)

Type B (3300 μ F/600V)



Type C (3300 μ F/1200V)



REMARKS:

- ※ For Type B and C, the 3-unit combination (Main unit, CT&Cs unit and Switch unit) is necessary to perform measurement.
- ※ The above connections are examples and will differ depending on the capacitance of Cx.

Specifications are subject to be changed without prior notice.

Aug 2022

SOKEN

1-34-22, TOBITAKYU
CHOFU, TOKYO 182-0036
JAPAN

TEL: 81 42 490 6929 (Export Dept)
FAX: 81 42 490 6807
www.soken-jp.com

