

C & tan δ Meter

DAC-ASM-2B



DAC-ASM-2B

DAC-ASM-2B is designed to assess the dryness of insulation materials in electrical devices such as transformers. When insulations absorb moisture, their $\tan \delta$ value increases. By accurately measuring $\tan \delta$ and capacitance, this device provides valuable insight into the condition of insulation, ensuring proper monitoring of dryness and effective maintenance.

Features:

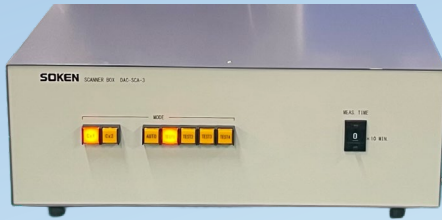
- Both **GST** (Grounded) and **UST** (Un-grounded) tests are available at a test voltage of **AC100V (50/60Hz)**.
- Supports remote control via **GP-IB interface**
- **SELF CHECK** function to ensure reliable operation.
- Optional **Scanner box DAC-SCA-3** enables automatic testing of 4 points with 2 transformers.
- Optional Heat-resistant cables (200°C) for measurement in a drying oven.

Specifications

DAC-ASM-2B		
Test Voltage	AC100V \pm 10% 50/60Hz (Input Power Frequency)	
Measuring Range	Capacitance	100pF - 300nF (Auto 4 ranges)
	$\tan \delta$	0.00 - 30.0% (Auto 2 ranges)
Resolution	Capacitance	1pF (300pF range)
	$\tan \delta$	0.01% (3.00% range)
Display	Capacitance	3 digits Max "360"
	$\tan \delta$	3 digits Max "360"
Accuracy	Capacitance	\pm 1% Rdg (Range 300pF – 0.30 μ F) \pm 10% Rdg (Range 100pF – 300pF)
	$\tan \delta$	\pm (0.02% + 3%Rdg + 1digit) (Range 300pF – 0.30 μ F) \pm (0.08% + 3%Rdg + 1digit) (Range 100pF – 300pF)
Analog Output	Capacitance	Full Scale of each range DC1V / 100digits
	$\tan \delta$	Fixed regardless of range DC1V / 10% (0.01% = 0.001V)
Interface	GP-IB, USB 2.0/1.1 Type B connector	
AC Power	AC100V, AC110V, AC200V, AC220V \pm 10% 50/60Hz Approx 50VA	
Size and weight	W432×H150×D380mm (Protrusions not included), About 8kg	
Standard Accessory	Cx Measuring cable, Measuring cable for UST, Ground cable, AC code, Analog output connector, USB cable	
Option accessory	Scanner Box (DAC-SCA-3), $\tan \delta$ Checker (DAC-CHR), Terminal box, GP-IB Cable, Connecting cables for DAC-SCA-3 (P,S,T,E), Heat-Resistant measurement cable*, Heat-Resistance Ground cable* (*Heat-resistant temp. 200°C, specify length)	

Option Items

Scanner Box DAC-SCA-3



Two transformers to be measured with DAC-ASM-2B can be switched for testing. In addition, the measurement points of each transformer can be selected or automatically switched. (See the figure below for the measurement points.)

Test point: TEST1, 2, 3, 4 and AUTO
Size and weight: W432H150xD380mm about 10kg

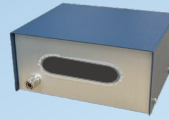
DAC-SCA-3 supports only GST measurement.

tan δ Checker DAC-CHB



Used to verify that the measurement value is normal. By measuring via an actual test circuit, the condition of wirings can also be checked.

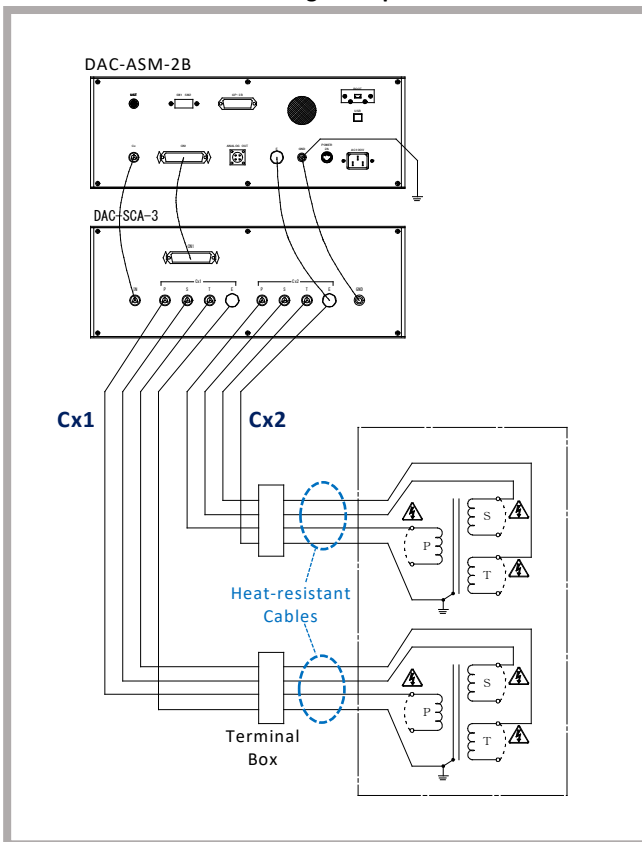
Terminal Box



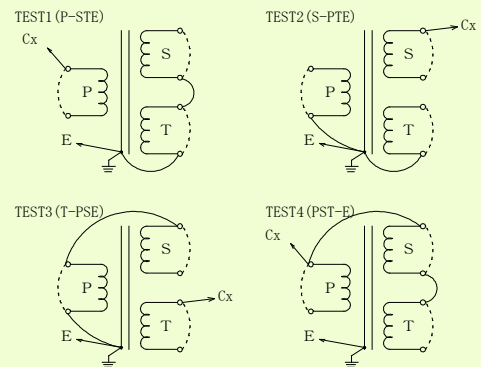
Used to connect the heat-resistant measurement cables to perform measurement in a drying oven.

Wiring examples

Measurement and wiring example with DAC-ASM-2B and DAC-SCA-3.



TEST 1 – TEST 4 TEST POINTS



With DAC-SCA-3, you can switch between two transformers (Cx1, Cx2) and select the measurement points for each transformer (TEST 1, 2, 3, 4 or AUTO). When AUTO is selected, the measurement point is automatically switched in the order of TEST 1 to TEST 4. (DAC-SCA-3 supports GST Test Only)

Designs are subject to change.

2024/12



ISO9001:2015
HEAD OFFICE/FACTORY

SOKEN SOKEN ELECTRIC CO., LTD.
www.soken-jp.com/en

1-34-22, Tobitakyu, Chofu Tokyo 182-0036, JAPAN
TEL 81 42 490 6929 (Export dept.) FAX 81 42 490 6806