

CONTACT RESISTANCE METER DAC-MR-100A DAC-MR-50A



SOKEN Contact Resistance Meter, DAC-MR-100A and DAC-MR-50A are ideal for measurement at both laboratory and on-site test instantly and easily with the resolution 0.1 micro ohm.

DAC-MR-100A is for measuring current 100A, and DAC-MR-50A is for 50A.

Application

- Contact Resistance Measurement for Power Circuit Breaker (GIS, Switch Gear)
- Resistance Measurement for Bus Bar and Joint
- Conductive Resistance Measurement for Cables

Features

- Light and Durable, only about 8 kg
- Measuring Current 100A and 50A
- Resolution: 0.1 μ ohm
- Kelvin Clips for Quasi Four Terminal Measurements

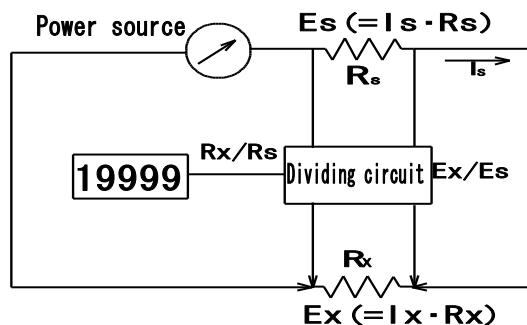
Model DAC-MR-100A/DAC-MR-50A CONTACT RESISTANCE METER

Specifications

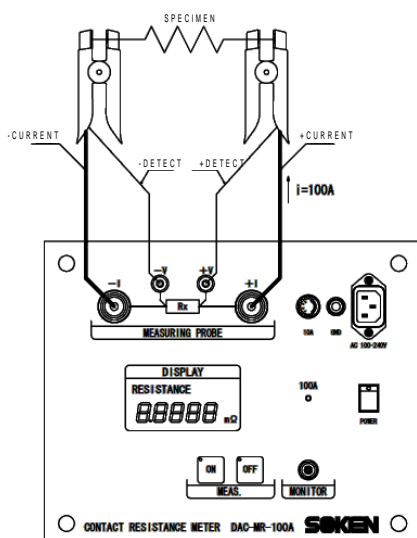
	DAC-MR-100A	DAC-MR-50A
Measuring Range	0-1.9999 m ohm	0-1.9999 m ohm 0-19.999 m ohm
Measuring Current	DC100A±3%	DC50A±3%
Resolution	0.0001 m ohm	
Accuracy	±(0.5%Rdg+3digits) at 1/10 of full scale or more ±(0.5%Rdg+10digits) at 1/10 of full scale or less	
Measuring Current Output	1.000V/100A	1.000V/50A
Display	4 1/2 digit (Max 1.9999)	4 1/2 digit (Max 19999)
Power Consumption	800VA	410VA
AC Mains	AC 100V~240V±10% 50/60Hz	
Size	W305xH245xD250(mm)	W305xH245xD250(mm)
Weight	8.4 kg	7.4 kg
Accessory	4 terminals Measuring Cable (5M) with Kelvin Clip x 1 set AC Cord (2M) x 1 Grounding Cable (2M) x 1 Operation Manual x 1 Accessory Bag x 1	

Principle

A standard resistor R_s is introduced into the resistance meter as in the circuit diagram. A common current I_s flows to both the resistor R_s and a specimen R_x under test. Thus, voltage drop generates separately: $I_s R_s = E_s$ for R_s , $I_s R_x = E_x$ for R_x . The measured voltages, E_s and E_x are divided in the dividing circuit.
 $E_x / E_s = I_s R_x / I_s R_s = R_x / R_s$
 A ratio of R_x / R_s is given digitally.



Connection



2014/7/18