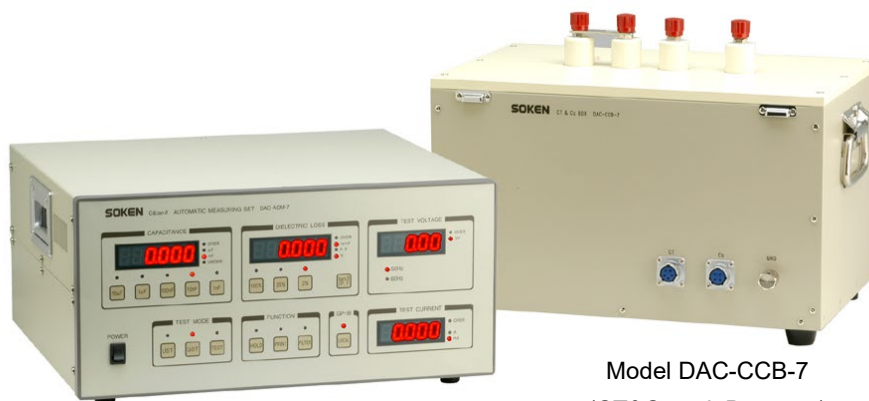


C & TAN δ AUTOMATIC MEASURING SET DAC-ASM-7



Model DAC-ASM-7

Model DAC-CCB-7
(CT&Cs unit Box type)

DAC-ASM-7 has been designed to perform dielectric dissipation factor ($\tan\delta$) measurement in wide ranges: Capacitance 100pF - 10 μ F, $\tan\delta$ 0 - 100%
Test voltage is from AC100V to 12kV with CT&Cs box type (DAC-CCB-7), and up to 30kV with tank type (DAC-CCB-6).
DAC-ASM-7 can measure both grounded and ungrounded specimens precisely and safely, and is ideal for development test, inspection test, and preventive maintenance on equipments, such as Generators, Motors, Transformers, and insulating materials.

Features

- Capacitance Range : 100pF - 10 μ F
- Test Voltage: Box type : AC100V - 12kV
Tank type : AC100V - 30kV
- Minimum Resolution : Capacitance 0.1pF (1nF range)
 $\tan \delta$ 0.001%(2% range)
- Internal Standard Capacitor (CT&Cs BOX)
- Grounded Specimen (GST) or Ungrounded Specimen (UST)
Under test can be selected.

Test Specimen

Generators, Motors, Coils,
Power Cables,
Power Transformers,
Instrument transformers,
Condensers,
Insulating Materials



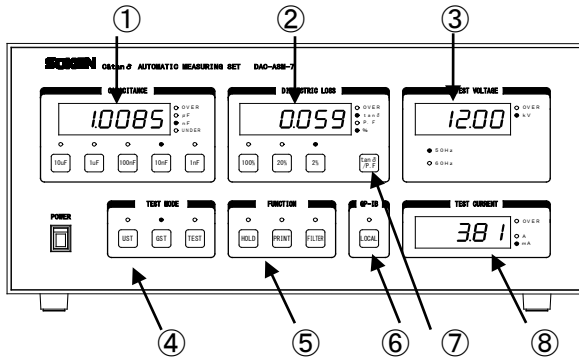
Model DAC-CCB-6
(CT&Cs unit Tank type)

Specifications

Model	DAC-ASM-7 12kV type	DAC-ASM-7 30kV type
■ Test Voltage	AC 0.10kV – 12kV	AC 0.10kV – 30kV
	Testing power supply is not included.	
■ Frequency	50/60Hz	
■ Minimum Resolution	Capacitance 0.1pF (1nF range) tan δ 0.001% (2% range)	
■ Measuring Range		
Capacitance	0.1nF – 10uF (GST mode) 0.1nF – 1uF (UST mode)	
tan δ (%)	0 – 100 (%), 3 ranges	
P.F (%)	0 – 70.7 (%), 3 ranges	
Voltage Meter	0 – 18kV one range	0 – 30kV one range
Current Meter	0 – 50A Auto 6 ranges	
■ Accuracy		
Capacitance	$\pm(1\%Rdg+2digits)$ $\pm(5\%Rdg+5digits)$ at less than 1nF	$\pm(5\%Rdg+2digits)$ $\pm(5\%Rdg+5digits)$ at less than 1nF
tan δ (%) / P.F(%)	$\pm(0.01\%+3\%Rdg+2digits)$ $\pm(0.03\%+5\%Rdg+2digits)$ at less than 1nF.	$\pm(0.02\%+3\%Rdg+2digits)$ $\pm(0.04\%+5\%Rdg+5digits)$ at less than 1nF
Voltage Meter	$\pm 3\%$ (mean)	$\pm 5\%$ (mean)
Current Meter	$\pm 3\%$ (mean)	$\pm 5\%$ (mean)
■ Input Voltage	AC100-240V $\pm 10\%$ 50/60Hz	
■ Interface	GP-IB	
■ Size & Weight	W430 x D385 x H200 mm, (without projections) Approx. 15kg	
■ Accessories	Measuring Cable (for GST)x1, 5m Measuring Cable (for UST)x1,10m CT Connecting Cable x 1, 5m CS Connecting Cable x 1, 5m Grounding Cable x 1, 5m GND Connecting Cable x 1, 5m AC Cable x 1, 2m	Measuring Cable (for UST) x1,10m CT Connecting Cable x 1, 5m CS Connecting Cable x 1, 5m Grounding Cable x 1, 5m GND Connecting Cable x 1, 5m AC Cable x 1, 2m (Measuring Cable (GST) is not included)
CT & Cs Unit		
■ Model	DAC-CCB-7 (Box Type)	DAC-CCB-6 (Tank Type)
Filled Gas		SF6 (0.2MPa)
■ Built-in CT		
Max Rated Voltage	12kV	30kV
Max Rated Current	50A : range 10uF(GST) 3A : range 1uF/100nF/10nF/1nF 1/10 of Maximum rating on continuous test. 120% of Maximum rating on 15 min test	50A: range 1uF/10uF(GST) 1A: range 100nF/10nF/1nF 1/10 of Maximum rating on continuous test. 120% of Maximum rating on 15 min test.
■ Measuring standard Capacitor		
Max Rated Voltage	12kV	30kV
Nominal Capacitance	1000pF $\pm 10\%$	1000pF $\pm 10\%$
tan δ	<0.05%	<0.05%
■ Size & Weight	W400 x D320 x H260mm Approx. 20kg (without projections)	W347 x D347 x H617mm Approx. 40kg (without projections)

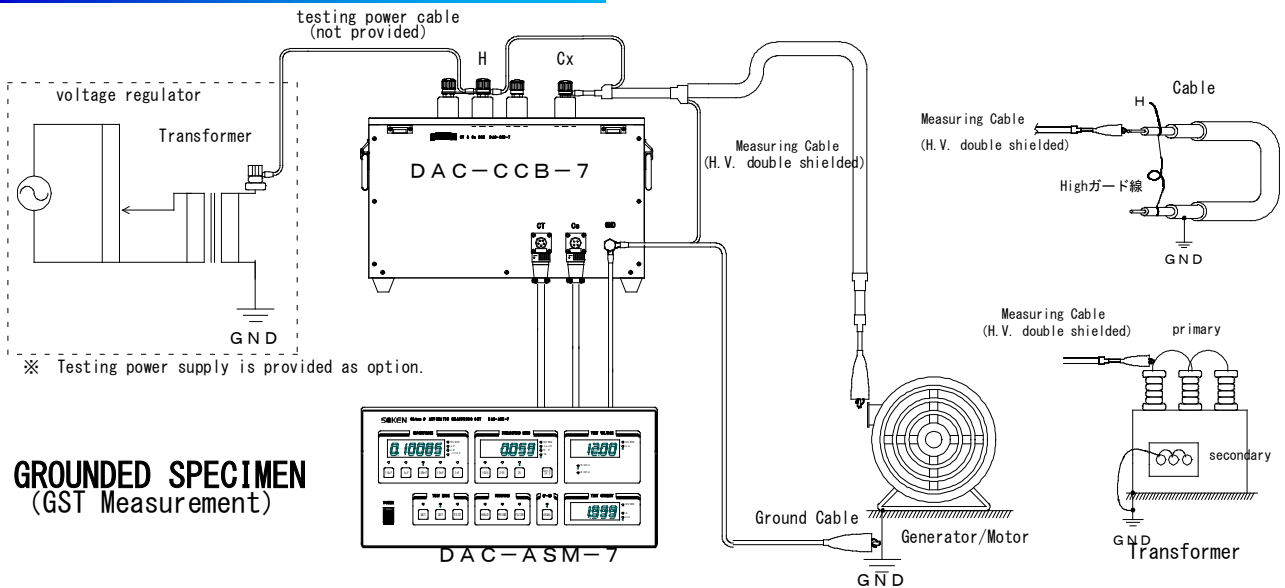
Remarks: Test voltage Max 50kV type is also available.

Front Panel of DAC-ASM-7

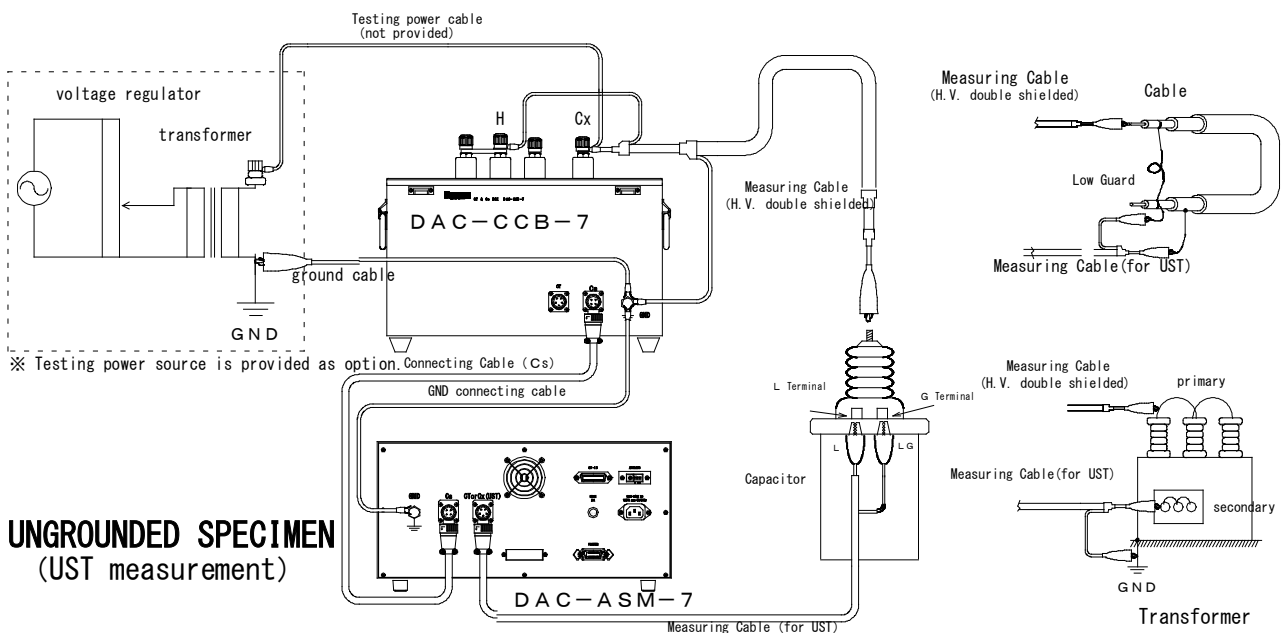


- ① Capacitance
- ② Dissipation Factor ($\tan\delta$)
- ③ Test Voltage
- ④ Test Mode (GST, UST)
- ⑤ Print key
- ⑥ GP-IB Switch
- ⑦ $\tan\delta$ /P.F. Selection
- ⑧ Test Current

Connection Drawings for 12kV type



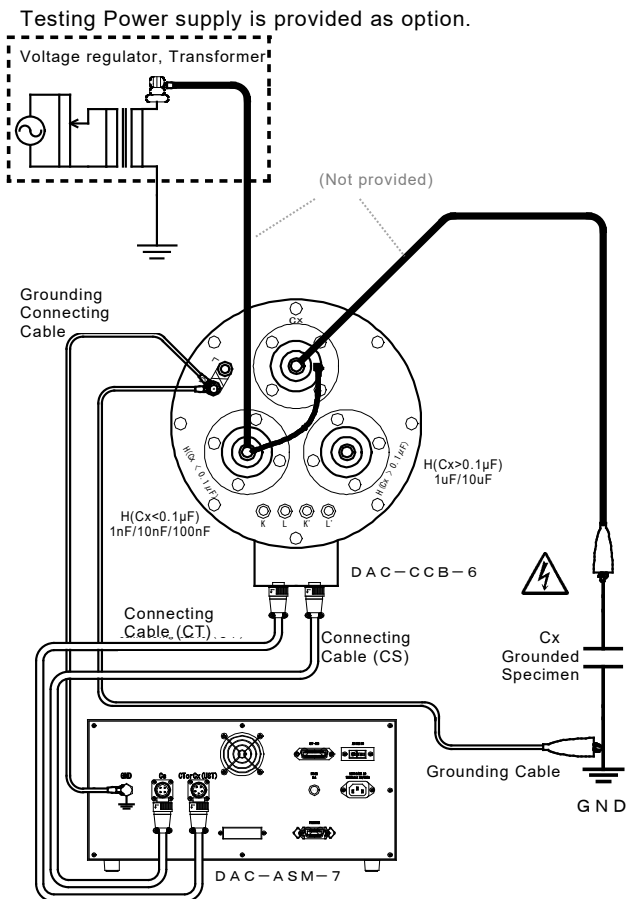
GROUNDING SPECIMEN (GST Measurement)



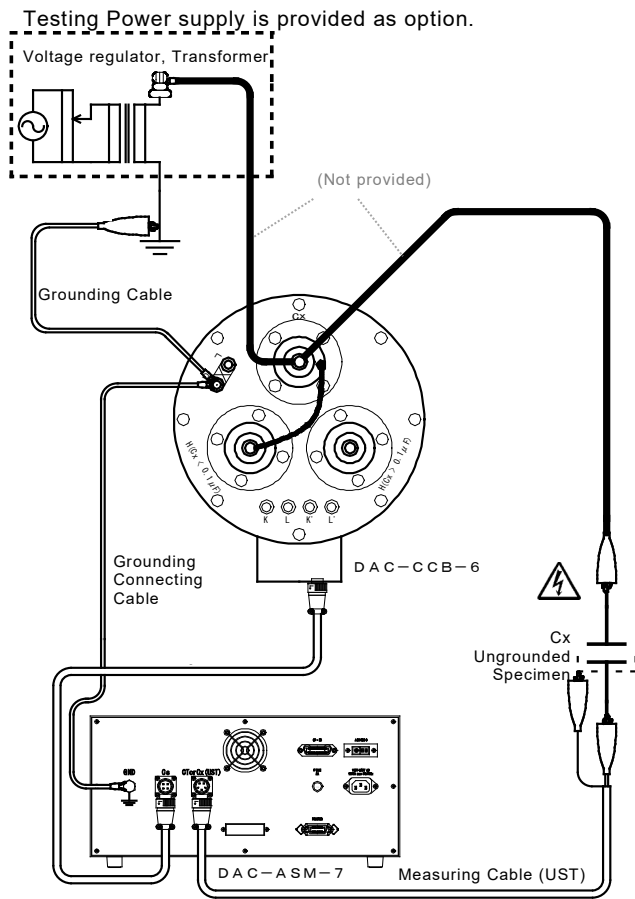
UNGROUNDING SPECIMEN (UST measurement)

Connection drawings for 30kV type

■ Grounded Specimen (GST Measurement)

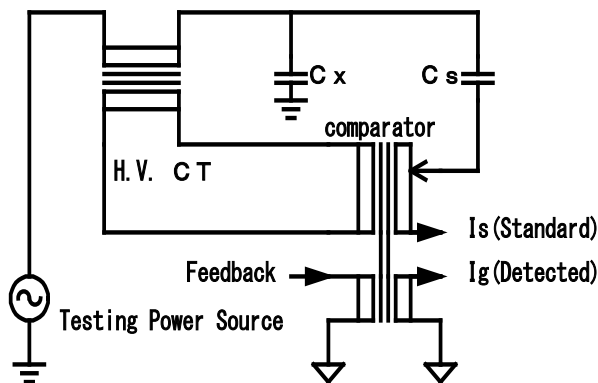


■ Ungrounded Specimen (UST Measurement)

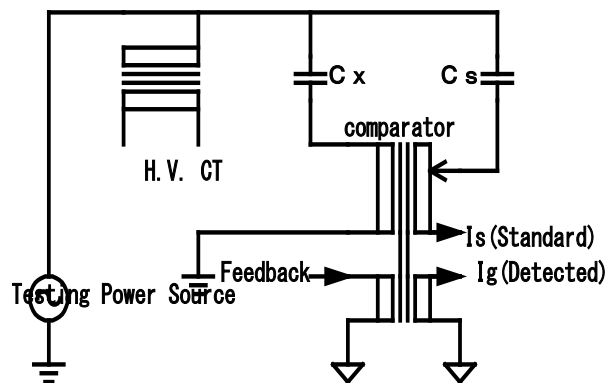


Connection Diagram for GST and UST

GROUNDED SPECIMEN (GST Measurement)



UNGROUNDED SPECIMEN (UST Measurement)



2017/02/01